


## PRODUCT SHEET

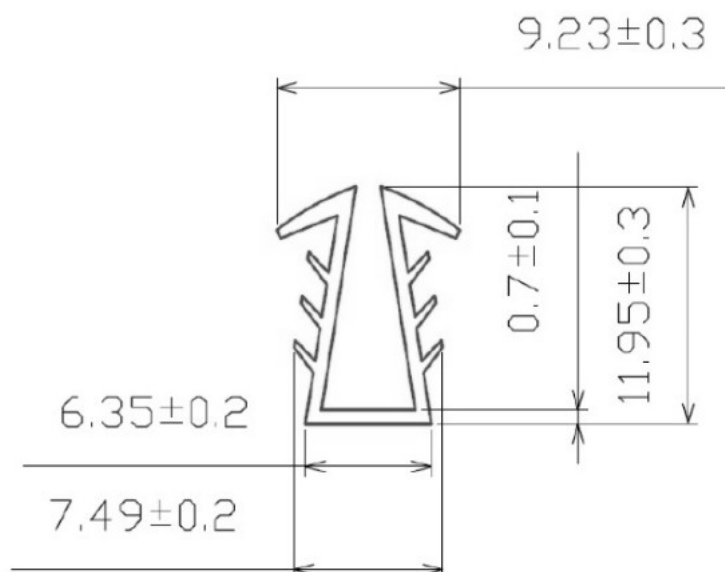
**Description:**

U-Spline F/Glass System "8600"+"2010"+"2740", Black PVC, In

**Item number:**

22.26.061-0

Units	Box	Carton	HS Code	Barcode
Pl.		1	3904220090	
				5704866086233



**SISO A/S**

Mileparken 11  
DK-2740 Skovlunde  
Denmark  
VAT: DK24786013

Phone +45 45 830 900

[www.siso.dk](http://www.siso.dk)  
[siso@siso.dk](mailto:siso@siso.dk)

Danske Bank  
Nytorv Branch  
Copenhagen  
SWIFT: DABADKKK

Account no.  
4180 3112 112936  
IBAN Account  
DK7230003112112936